



ARPACSTRETCH™ PRO-SERIES®

SEMI-AUTOMATIC PLATFORM STRETCH WRAPPER WITH POWERED PRE-STRETCH

The PRO-SERIES® is often purchased with the WRAP-N-WEIGH® feature that combines wrapping and weighing operations. A precision scale and digital controls are integrated into the machine which brings greater economy and efficiency to any wrapping operation requiring weighing.

This 4,000 lb. capacity system is available with a high profile turntable for forklift loading, or low profile turntable for pallet-jack loading.

The PRO-SERIES® can be customized to suit your material handling requirements with extended towers for taller loads and split frames for odd-sized larger loads.

The PRO-SERIES® is part of a robust line of stretch wrapping equipment designed to maximize stretch film usage while ensuring the very best load unitization. All ARPACSTRETCH™ equipment is constructed with heavy-duty reinforced structural steel, and finished with non-corrosive powder coat finish, to guarantee years of reliable wrapping. The PRO-SERIES® is manufactured in the USA and sold through our nationwide distributor network.

Variety of turntable sizes are available for applications where the full skid or slip sheet needs support.



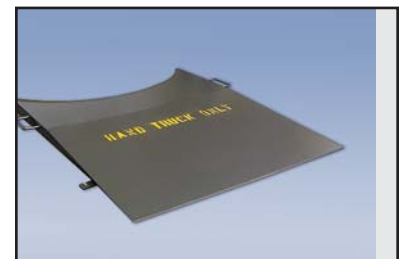
low profile 4,000 lb. load capacity



"Swift Change" Film Mandrel



WRAP-N-WEIGH® Operator Controls



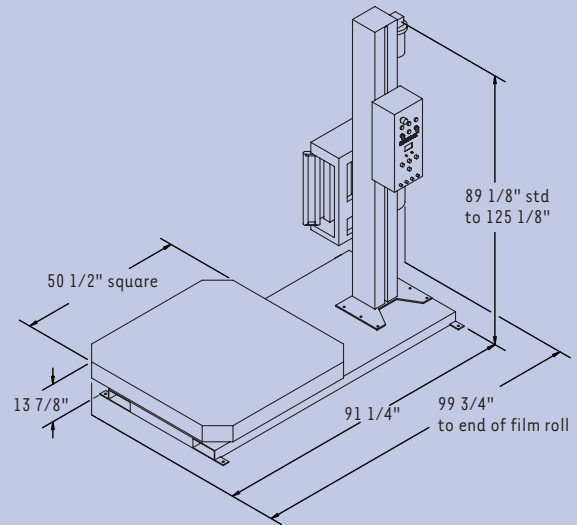
Variety of Access Ramps

FEATURES

- Welded heavy-duty reinforced structural steel construction for around-the-clock operation
- Powder coat finish that provides a durable scratch resistant surface and prevents corrosion
- Forklift portable
- 4 point caster support for HP turntable
- 8 point - Delrin caster support for LP turntable
- Turntable direct drive: 1/2 HP, 90 VDC motor with ANSI 50 chain
- Allen-Bradley® Micrologix PLC
- Top over-wrap control feature (TOC)
- Cycle pause control
- Turntable jog control
- Carriage pause control (banding)
- Adjustable dual LED wrap counters (0-7)
- Corner compensation
- Anti-static rollers
- UL approved components
- External fuses
- Home position alignment at end of cycle
- Photo electric load height sensor that detects most dark colored loads
- EZ-LOAD Powered Pre-Stretch 150-300%, 200% Standard
- Variable carriage speed (0-21 FPM)
- Turntable speed of 0-12 RPM adjustable
- Carriage drive: 1/3 HP, 90 VDC motor with ANSI chain lift drive

OPTIONS

- Extended film tower for wrapping taller loads exceeding standard machine capability
- TOP PLATEN device used to stabilize tall or light unstable loads during rotation
- A variety of access ramps to assist loading of pallet
- Split frame construction to increase film tower clearance for oversized loads
- Cycle counter to count the actual cycles of machine operation
- Extended umbilical cords for split frame models
- More options available, consult your local ARPACSTRETCH™ representative



SPECIFICATIONS

Power Requirements

- Electrical: 120VAC, 1Ph, 10A, 60Hz

Load and Turntable Sizes

Frame	Load Height	Max. Load Dia. Clearance	Standard Turntable	Oversized Turntable
HP	74"	85"	50"W x 50"L square	60"W x 60"L square
LP	83"	85"	60" diameter	72" diameter
HP WNW	72"	85"		
LP WNW	81"	85"		

Note: A split frame design will lose up to 3" in wrap height with a standard 8' umbilical cord between the tower and the base when turntable is placed at maximum distance from the tower.

Approx. Shipping Weight

- HP: 1,386 lbs.
- LP: 1,485 lbs.
- HP WNW: 1,475 lbs.
- LP WNW: 1,568 lbs.

