

Dispensers

For steel strapping



DF-7A
Inexpensive model for mill wound coils. General use.



DF-15
For typical shipping room. Easily loaded with mill wound coils.



DF-10RW
Accepts mill wound or ribbon wound coils 3/4" and 1-1/4" in width.



DF-X
An all purpose, easy loading dispenser for mill wound coils.



DO-3A
Overhead dispenser for mill wound coils. Wall mounting bracket (WB), Part No. 002817 and ceiling bracket (CB-9), Part No. 002816 are available through Signode Parts.



Coil Lifter

Capable of lifting up to 125 lb. strap coils, the standard coil lifter is designed for easy dispenser loading, both vertically and horizontally. Accommodates both mill and ribbon wound steel strap coils as well as standard plastic coils. Available in a stationary (Part No. 425650 or portable model Part No. 424700).



DF-23
Fits almost anywhere. Pays off from the inside of the coil. Mobile with optional DM-23 cart. Cover required for strap over 0.023" (0.58mm). Cover sold separately (Part No. 024219).



DM-23
Makes the DF-23 mobile (Part No. 017000).

Strap Dispenser Model	Part Number	Strap Size		Coil winding		Feeds from		Strap-troller Feature	Portable	Tool Tray	Dimensions						Dispenser Weight	
				Mill	Ribbon	Outside Vert. Coil	Inside Horiz. Coil				Height		Width		Length			
		inch	mm			inch	mm				inch	mm	inch	mm	lbs	kg		
DF-7A	059999	3/8-3/4	9.5-19.0	•		•			•	•	28	711	13-1/2	343	35	889	63	28
DF-X	429220	3/8-3/4	9.5-19.0	•		•			•	•	37	940	24-1/2	622	19	483	58	26.3
DF-15*	273725	3/8-3/4	9.5-19.0	•		•			•	•	37-3/4	959	25	635	16	406	54.5	24.7
DF-10RW	020420	3/4 or 1-1/4	19.0 or 31.8	•	•	•			•	•	41	1 041	18-1/2	470	28	711	94	43
DO-3A	002870	3/8-3/4	9.5-19.0	•		•			•		31	787	6-3/4	171	27-3/4	705	41	18
DF-23	024200	3/8-3/4	9.5-19.0	•			•				8	200	24-1/2	622	24-1/2	622	35	16

*Dispenser can be used with both steel and plastic strapping.

Dispensers

For steel strapping



DTR-3
Heavy-duty carloading. Rubber tires for easy mobility. Holds one coil 3/4", two coils 1-1/4", and one coil 2" strapping.



DT-1-10RW
Heavy-duty dispenser. Ideal for outdoor use in rough terrain.



DH-1-34, DH-1-114, DH-1-2
For use with heavy-duty strapping.



DA-34-114
Heavy-duty dispenser. Pays off from inside of coil.



DF-1-12
For power equipment only. Dancer arm and brake. Base sold separately (Part No. 024360).



DP-1-12R
Pneumatic reversing dispenser. Generally for power strapping machines with large chute systems.



DC-1A
Built-in strap cutter for pre-cutting. Holds any two ribbon wound coils.



DPCL
Cuts strapping automatically up to 100 ft. in length.

Strap Dispenser Model	Part Number	Strap Size		Coil winding		Feeds from		Strap-troller Feature	Portable	Tool Tray	Dimensions						Dispenser Weight	
				Mill	Ribbon	Outside Vert.coil	Inside Horiz.coil				Height		Width		Length			
		inch	mm			inch	mm				inch	mm	inch	mm	lbs	kg		
DTR-3	164520	3/4-2	19.0-50.8		•	•			•	•	46-1/2	1 181	15-1/4	387	27-1/2	699	110	50
DT-1-10RW	011442	5/8-1-1/4	15.9-31.8	•	•	•		•	•	•	42	1 067	22	559	34	864	125	57
DH-1-34	047538	3/4	19.0		•	•					29-3/4	756	6-3/4	171	22-1/4	565	46	21
DH-1-114	047537	1-1/4	31.8		•	•					29-3/4	756	7-1/4	184	22-1/4	565	46	21
DH-1-2	047539	2	50.8		•	•					29-3/4	756	8	203	22-1/4	565	46	21
DA-34-114	020400	3/4 or 1-1/4	19.0 or 31.8		•		•				25-1/4	641	27-1/2	699	31	787	131	59
DF-1-12	031317	3/8-3/4	9.5-19.0	•		•					32	813	10	254	24-1/2	622	95	43
DP-1-12R	040900	3/8-3/4	9.5-19.0	•		•					36-3/4	933	12-3/8	314	47-1/4	1 200	170	77
DC-1A	005720	3/4-2	19.0-50.8		•	•					29*	737	15	381	32-1/2	826	97	44
DPCL	083001	3/8-2	9.5-50.8	•	•	•					36	914	21	533	52	1 321	450	204

*With coil. **Item exceeds size and weight limits and ships via motor freight.

Tool Suspension Systems

For steel and plastic strapping

Overhead tool balancers

Tool balancers are the easiest and most efficient way to suspend strapping tools from a fixed ceiling bracket, monorail, jib or bridge crane.



BFL-9

Part No. 423283*
6-9 lbs. (2.7-4.1 kg),
6.6 ft. (2 m) cable travel

BFL-13

Part No. 306809*
9-13 lbs. (4.1-5.9 kg),
6.6 ft. (2 m) cable travel

BFL-18

Part No. 423278*
13-18 lbs. (5.9-8.2 kg),
6.6 ft. (2 m) cable travel

BFL-24

Part No. 423282*
18-25 lbs. (8.2-11.4 kg),
6.6 ft. (2 m) cable travel



EB2500R

Part No. 485001*
18-25 lbs. (8.2-11.4 kg),
6.6 ft. (2 m) cable travel

EB3500R

Part No. 485002
25-35 lbs. (11.3-15.9 kg),
6.6 ft. (2 m) cable travel

EB4500R

Part No. 485003
35-45 lbs. (15.9-20.5 kg),
6.6 ft. (2 m) cable travel

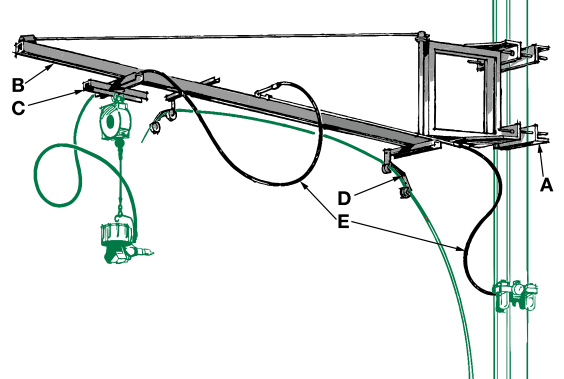
EB60SOR

Part No. 485004
45-60 lbs. (20.5-27.1 kg),
4.9 ft. (1.5 m) cable travel



DA330

Part No. DA330
Hose reel (with ratchet
lock and hose) for
pneumatic tools, 30 ft.
(10.7m) length of travel



Jib crane

Signode's JN-15, Part No. 084165, is a 15 ft. (4.6 m) jib crane used to suspend pneumatic combination tools overhead. It handles steel strapping in widths up to 1-1/4" (31.8 mm) and has a weight limit of 50 lbs (23 kg).

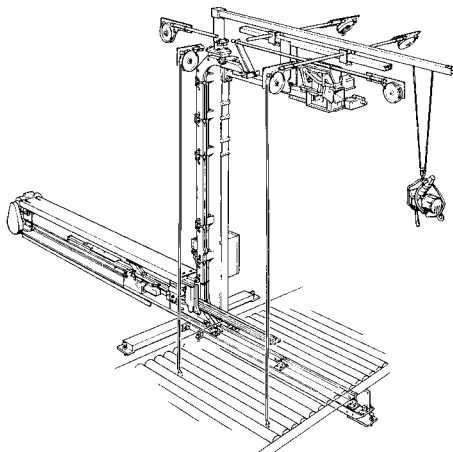
A. Post mounting bracket
B. Enclosed trolley track
C. Tool carrier assembly

D. Strap guide rollers
E. Air line components

* Ratchet lock halts cable at desired position, prevents creep. The lock can be released by a tug and can also be disengaged.

Power Strap Feeder (PSF-2) For plastic and steel strapping

The PSF-2 power strap feeder is designed to improve virtually any manual packaging operation regardless of package size, strapping material, pallet type or packaging line configuration.



The modular design can be customized to accommodate your packaging operation.

Standard features: automatic strap feed shutoff, automatic seal feed bend-over device.

Options: chute extensions, casters, pallet void feeding attachments, strap grippers, strap directors and more.

Efficiency

Automatic strap feeding greatly improves production speed and helps eliminate bottlenecks.

Economy

The PSF-2 requires only one operator (two or more are required for manual strap feeding), which can significantly reduce operating costs. Your labor cost savings, coupled with increased production, elimination of bottlenecks and the PSF-2's low cost, gives you a relatively quick return on investment.

Specifications

Maximum package size:	76"H (1930mm), 48" (1219mm) front to back
Steel strapping:	3/8" x .017" to 3/4" x .031" (9.5mm x 0.43mm to 19mm x 0.79mm)
Plastic strapping:	Tenax® 1716, 1718, 1816, 1818, 1822, 2030, 2040 Contrax® HD 723, HD 729, 816, 818
Dispenser:	DF-23, DF-1-12D
Tool suspension:	Overhead jib suspension with cable
Motor:	1/4 hp (.1864 KW), 1140 RPM, 115V, single phase, 60Hz

Accessories

For steel and plastic strapping

Cutters—for plastic and steel strapping



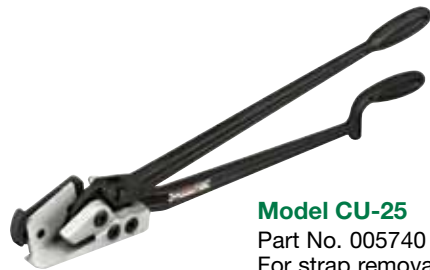
Model CY-29
Part No. 426000
Lightweight.
Improved alloy steel. Cuts strap through 3/4" x 0.031" (19.0 x 0.79 mm). Shipping weight: 1.5 lbs. (0.68 kg)



Model CY-30
Part No. 426010
Lightweight.
Improved alloy steel. Cuts strap through 1-1/4" x 0.035" (31.8 x 0.89 mm). Shipping weight: 3 lbs. (1.35 kg)



Model CU-30
Part No. 005899
Lightweight.
One-hand operation. Cuts strap through 1-1/4" x 0.035" (31.8 x 0.89 mm). Shipping weight: 3 lbs. (1.35 kg)



Model CU-25
Part No. 005740
For strap removal or cutting strap to length. Replaceable blades. Cuts strap through 2" x 0.050" (50.8 x 1.27 mm). Shipping weight: 8 lbs. (3.6 kg)

Anti-skid plates

Anti-skid plates are simple, inexpensive devices that retard product shifting in trailers or railcars.

No. 1, Part No. 005493

Used principally beneath pallets or skids in trailers, trailers on flatcars (TOFC), containers on flatcars (COFC), open top railcars and boxcars. For heavy loads. Dimensions: 3-3/4" x 5" (95.2 mm x 127.0 mm). Standard pack: 125 pcs., 36 lbs. (16.3 kg).

No. 2, Part No. 001999

Used beneath pallets or skids in trailers or railcars. For lighter loads. Diameter: 1-3/8" (34.9 mm). Standard pack: 2500 pcs., 43 lbs. (19.5 kg).



Steel



Plastic



Steel and plastic edge protectors

For strapping up to 1-1/4" (31.8 mm) wide, Signode steel and plastic edge protectors cushion your product and

allow straps to be tightly applied without causing damage. Plastic ribbed edge protectors are available in red, blue, white or yellow for color coding.

Model	Part Number	Color	Composition	Maximum Strap Width	Edge Protector Dimensions						Package			
					inch	mm	Length	Width	Thickness	Standard Package	Weight			
7	001598	Metallic	Steel	1-1/4	31.8	2	50.8	2-3/4	69.9	0.030	0.76	500	47	21.3
EG3A	001260					2-1/2	63.5	3-1/8	79.4	0.031	0.79	150	31	14.1
PL1	085971	White	Plastic	3/4	19.0	1-1/4	31.8	2	50.8	0.062	1.58	2,000	23	10.4
P41 Series	041504	Red												
	041505	White												
	041506	Blue												
	041507	Yellow												

Anchor plates

Used to secure ends of strap to car studs. Fasten with No. 225 Microlock nails, Part No. 002989.



Model	Part Number	Strap Width		Plate Dimensions		Standard Pack	Shipping Weight	
		inch	mm	inch	mm		lbs	kg
—	001294	1-1/4	31.8	4 x 2 x 1/8	101.6 x 50.8 x 3.18	200	51	23.2

Pallet Weasel – pallet void strapping tool

Used to guide strapping underneath pallets when manually strapping loads. Works with any standard 3/4" broom handle and can accommodate polypropylene, polyester and steel strapping up to 1" (25 mm). Part No. 500089.

